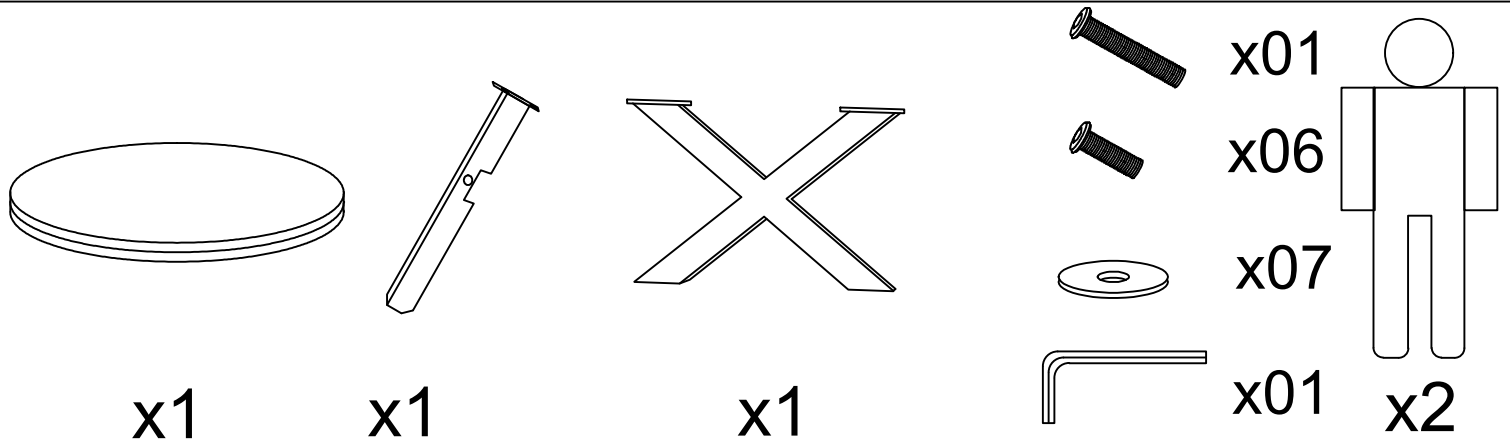


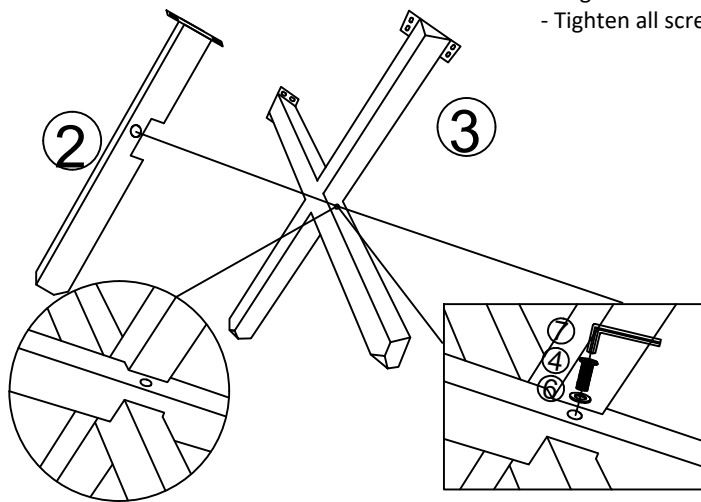
ASSEMBLY INSTRUCTION



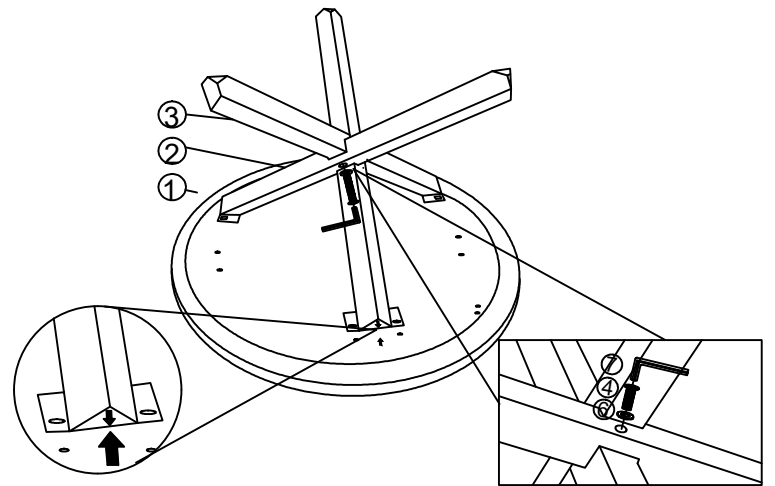
STEP-01

CAUTION:

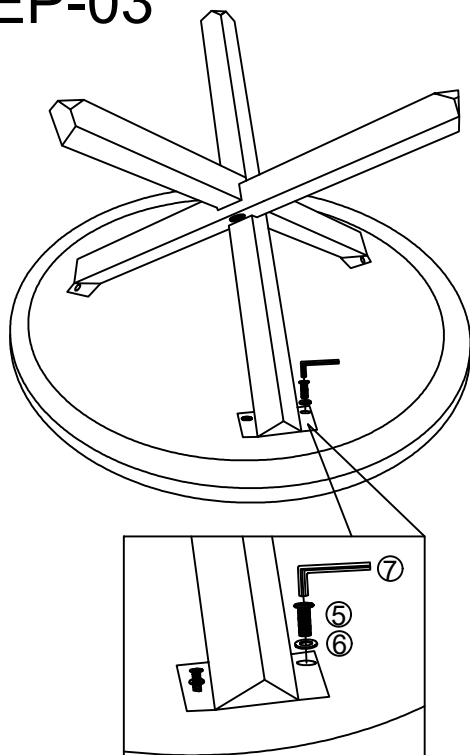
- First
- Align the holes of legs with the holes in the table top.
- Tighten all screws completely.



STEP-02



STEP-03



STEP-04

